

# Replacement Parts List

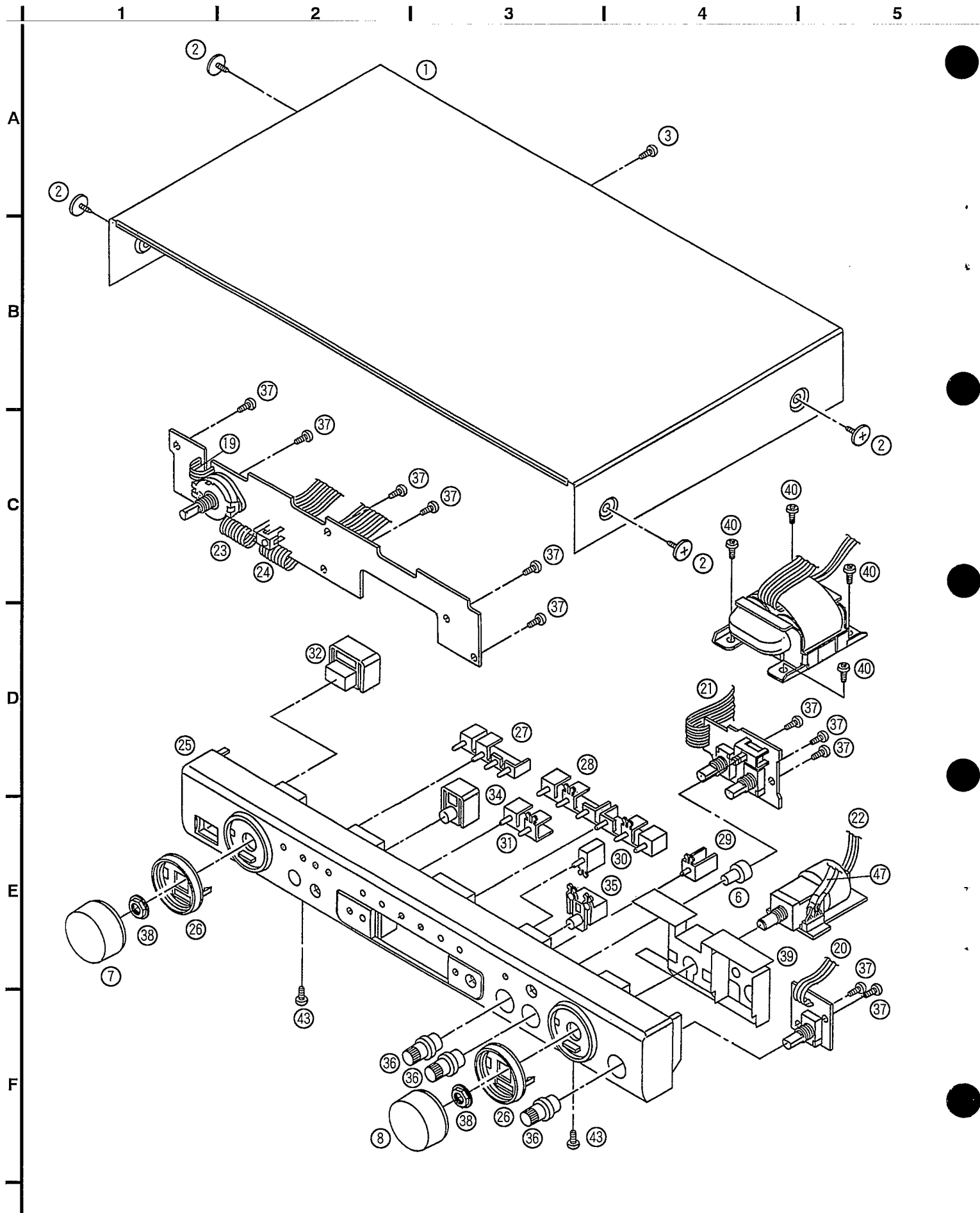
**Notes:** \*Important safety notice:

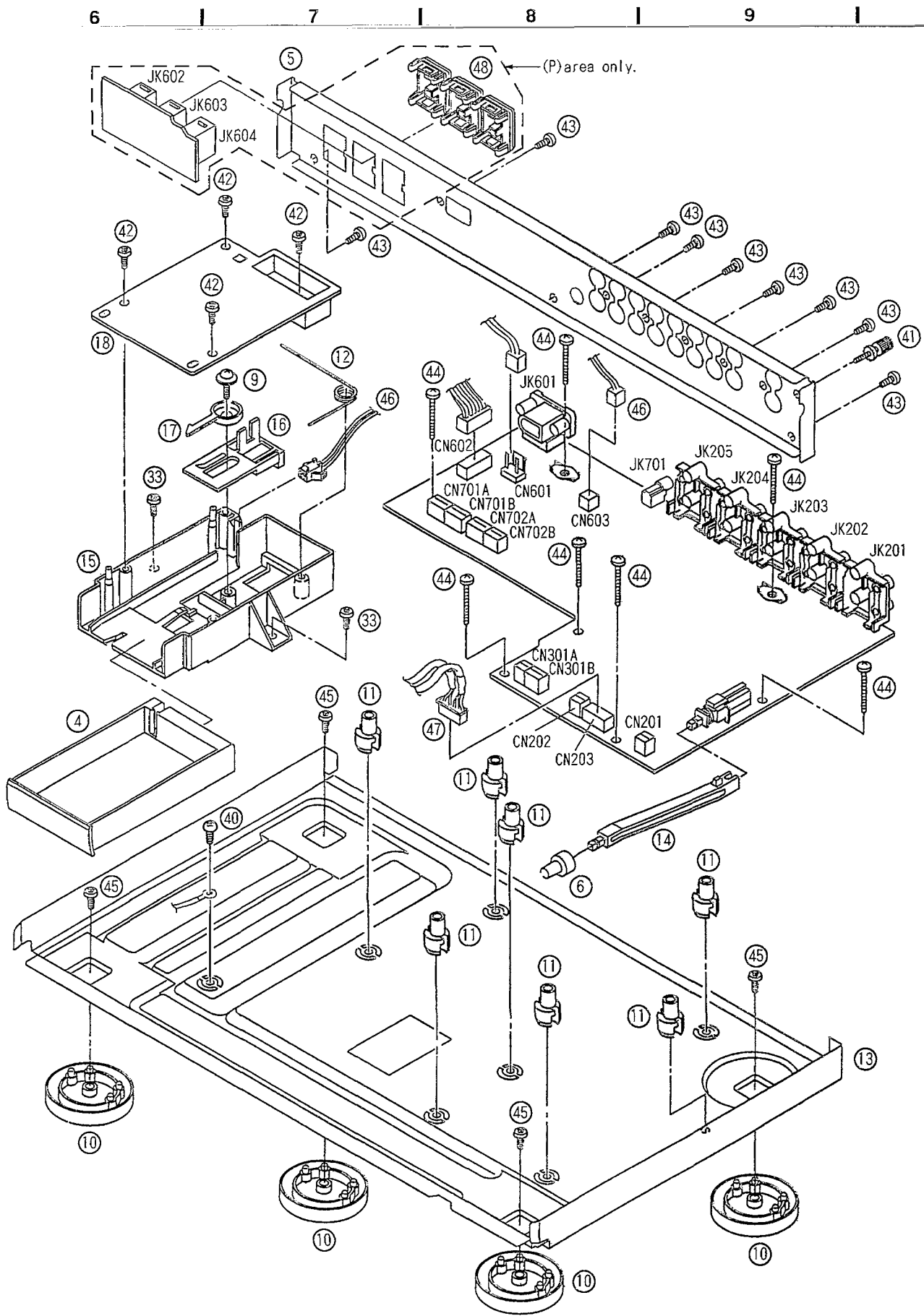
Components identified by Δ mark have special characteristics important for safety. Furthermore, special parts which have purposes of fire-retardant (resistors), high-quality sound (capacitors), low-noise (resistors), etc. are used. When replacing any of components, be sure to use only manufacture's specified parts shown in the parts list.  
 \*The parenthesized indications in the Remarks columns specify the areas. (Refer to the cover page for area.)  
 Parts without these indications can be used for all areas.  
 \*Remote Control Ass'y: Supply period for three years from termination of production.  
 \*The "(SF)" mark denotes the standard part.  
 \*<VRD>: indicates parts that are supplied by Video Recorder Division.

Ref. No.	Part No.	Part Name & Description	Remarks	Ref. No.	Part No.	Part Name & Description	Remarks
		INTEGRATED CIRCUIT(S)				DIODE(S)	
IC101	UPC4570C	IC, PHONO EQ AMP.		D101, 102	MA700	DIODE	
IC201	TC9163N	IC, INPUT SELECTOR		D201	MA165	DIODE	
IC202	TC9164N	IC, INPUT SELECTOR		D301	MA4047MTA	DIODE	
IC251	BA6218	IC, MOTOR DRIVE		D601, 602	RL1N4003N02	DIODE	Δ
IC301	NJM4580DD	IC, TONE AMP.		D603	MA4160M	DIODE	Δ
IC601	M5F78M05L	IC, REGULATOR	Δ	D604, 605	MA165	DIODE	(P)
IC602	M5F78M15L	IC, REGULATOR	Δ	D611-614	RL1N4003N02	DIODE	Δ
IC611	PST623XS	IC, FINAL DISCHARGE VOLTAGE		D616	MA4033TA	DIODE	Δ
IC701	M37470M2358S	IC, MICRO COMPUTER		D617-621	MA165	DIODE	
IC801	TC74HC42AP	IC, LED DRIVE		D622	MA4100MTA	DIODE	Δ
		TRANSISTOR(S)		D651-654	RL1N4003N02	DIODE	Δ
				D655, 656	MA167	DIODE	Δ
				D658	MA4056MTA	DIODE	Δ
Q101-104	2SK170BLTPE2	TRANSISTOR		D701	1SS291TA	DIODE	
Q201	DTC124EST	TRANSISTOR		D702	MA165	DIODE	
Q202	DTA124ESTP	TRANSISTOR		D703	RL1N4003N02	DIODE	
Q301, 302	2SK389BG	TRANSISTOR		D704	1SS291TA	DIODE	
Q305	2SK301PQTA	TRANSISTOR		D705-708	MA165	DIODE	
Q351, 352	2SC3327-A	TRANSISTOR		D709-711	MA165	DIODE	(E, EB, EG)
Q601	2SD592ANCQ	TRANSISTOR	Δ	D712	MA165	DIODE	
Q602	2SB621A-R	TRANSISTOR	Δ	D713	SLR-305VC	LED	
Q603	DTA124ESTP	TRANSISTOR	Δ	D801-808	SLR-305VC	LED	
Q604, 605	2SK301PQTA	TRANSISTOR	Δ	D809	SPR505MDTT	LED	
Q606	MSA1048ABCTA	TRANSISTOR	Δ	D810	SLR-305VC	LED	
Q607	DTA114YSTP	TRANSISTOR	(P)	D811, 812	SLR-305DC	LED	
Q614	2SB1357EFTA	TRANSISTOR	Δ	D813	SLR-305VC	LED	
Q615	2SB621A-R	TRANSISTOR	Δ				
Q616	MSA1048ABCTA	TRANSISTOR				VARIABLE RESISTOR(S)	
Q617	DTC144ESTP	TRANSISTOR					
Q618	DTC124EST	TRANSISTOR		VR201	EJWMPREF20A15	V. R, MAIN VOLUME	
Q619	DTA124ESTP	TRANSISTOR		VR202	EJY02QF02G15	V. R, BALANCE	
Q620	DTC124EST	TRANSISTOR		VR301, 302	EJYA1F02C15	V. R, TONE CONTROL	
Q621	DTA124ESTP	TRANSISTOR					
Q622	DTC124EST	TRANSISTOR				COMPONENT COMBINATION(S)	
Q623	DTA124ESTP	TRANSISTOR					
Q624	2SD592ANCQ	TRANSISTOR	Δ	Z801	RCDGP1U28XD	REMOTE SENSOR	
Q701	DTC114ESTP	TRANSISTOR					
Q702-705	DTC114YSTP	TRANSISTOR				COIL(S)	
Q706	DTA114YSTP	TRANSISTOR					
Q707	DTC114YSTP	TRANSISTOR		L1	RLQZ271M	COIL	Δ (E, EB, EG)
Q708	DTA114YSTP	TRANSISTOR		L101-104	ELEXT101KA9	COIL	
Q709	2SA933QRSTA	TRANSISTOR		L251, 252	ELEXT1R0KA9	COIL	
Q710	DTC114YSTP	TRANSISTOR	(E, EB, EG)	L701	ELEXT101KA9	COIL	

Ref. No.	Part No.	Part Name & Description	Remarks	Ref. No.	Part No.	Part Name & Description	Remarks
		TRANSFORMER (S)				JACK (S)	
T1	RTP7B5B001-W	POWER TRANSFORMER	△ (E, EB, EG)	JK201	SJF3069-11A	TERMINAL, PHONO	
T1	RTP7B5C001-W	POWER TRANSFORMER	△ (P)	JK202	SJF3069A	TERMINAL, TUNER/CD	
		OSCILLATOR (S)		JK203	SJF3069A	TERMINAL, AUX/TAPE2/DCC	
				JK204	SJF3069A	TERMINAL, TAPE2/DCC/TAPE1	
X701	EFOGC4004A4	OSCILLATOR (4MHz)		JK205	SJF3069A	TERMINAL, TAPE1/PRE OUT	
		FUSE (S)		JK601	SJS9236	JACK, AC INLET	△ (E, EB, EG)
F601	XBA2C016TB0S	FLUSE, 250V, TO. 16A	△ (E, EB, EG)	JK601	SJS9236	JACK, AC INLET	△ (P)
F601	XBA1C016NBAU	FLUSE, 125V TO. 16A	△ (P)	JK602	SJS9233B	JACK, AC OUTLET	△ (P)
		SWITCH (ES)		JK603	SJS9233B	JACK, AC OUTLET	△ (P)
S103	RSP2D010-J	SW, PHONO SELECTOR		JK604	SJS9233B	JACK, AC OUTLET	△ (P)
S301	ESB68047	SW, TONE (DEFEAT/ON)		JK701	RJJ33TB1	JACK, CONTROL OUT	(E, EB, EG)
S801	EVQ21405R	SW, POWER (STANDBY/ON)					
S802	EVQ21405R	SW, TAPE MONITOR					
S803	EVQ21405R	SW, BATT OPERATION					
S804	RSR9A001-A	SW, SELECTOR					
		CONNECTOR (S)					
CN201, 202	RJS1A6603	CONNECTOR (3P)					
CN203	SJT3611	CONNECTOR (6P)					
CN601	RJP1A4204-1	CONNECTOR (4P)					
CN602	SJT3611	CONNECTOR (6P)					
CN603	SJT3213	CONNECTOR (2P)					
CN301A	RJS1A6603	CONNECTOR (3P)					
CN301B	RJS1A6604	CONNECTOR (4P)					
CN701A	RJS1A6604	CONNECTOR (4P)					
CN702A	RJS1A6604	CONNECTOR (4P)					
CN701B	RJS1A6604	CONNECTOR (4P)					
CN702B	RJS1A6604	CONNECTOR (4P)					
		EARTH TERMINAL					
E201, 202	SNE1004-2	GND PLATE					
E301	SNE1004 2	GND PLATE					
		FUSE HOLDER					
FC611, 612	EYF528C	FLUSE HOLDER					
		RELAY					
RL201	RSY0020M-R	RELAY					
RL601	RSY0019 0	RELAY	△ (P)				
RL611-613	RSY0020M-R	RELAY					

# ■ Cabinet Parts Location





Ref. No.	Part No.	Part Name & Description	Remarks	Ref. No.	Part No.	Part Name & Description	Remarks
		CABINET PARTS LIST		46	REX0758	CABLE ASS' Y(2P)	
				47	REX0759	CABLE ASS' Y(6P)	
				48	SJS9233A	AC OUTLET COVER	(P)
1	RKM0032-K	TOP CABINET				PACKING CASE	
2	RHD30035-K1	SCREW		P1	RPG2634	PACKING CASE	(E, EG)
3	XTBS3+8JFZ1	SCREW		P1	RPG2635	PACKING CASE	(EB)
4	RGQ0179-K	BATTERY TRAY	(E, EB, EG)	P1	RPG2633	PACKING CASE	(P)
4	RFKMC1000PK	BATTERY TRAY ASS' Y	(P)	P2	RPF0139	PROTECTION COVER	
5	RGRO224B-A	REAR PANEL	(E, EG)	P3	RPN0917	PAD	(E, EG, P)
5	RGRO224B-BA	REAR PANEL	(EB)	P3	RPN0919	PAD	(EB)
5	RFKHUC1000PK	REAR PANEL ASS' Y	(P)	P4	RPC0164	PAD	
6	RGU1207-K	BUTTON, TONE		P5	SPP756	PROTECTION COVER	
7	RGW0229-K	KNOB, SELECTOR		P6	RPH0032	MIRROR SHEET	(EB)
8	RGW0230-K	KNOB, VOLUME				ACCESSORIES	
9	RHD26016	SCREW		A1	RAK-SU180WH	REMOTE CONTROL TRANSMITTER	(E, EB, EG)
10	RKA0053-A	FOOT		A1	RAK-SU182WH	REMOTE CONTROL TRANSMITTER	(P)
11	RKQ0089	P. C. B. SUPPORT		A1-1	RKK0057-K	BATTERY COVER	
12	RME0190	SPRING		A2	RQA0013	WARRANTY CARD	(E, EB, EG)
13	RMK0035A	CHASSIS		A2	RQA0114	WARRANTY CARD	(P)
14	RMN0144	SHAFT		A3	RQCB0169	SERVICE CENTER LIST	(E, EB, EG)
15	RMRO904-K	BATTERY BASE		A3	RQCB0391	SERVICE CENTER LIST	(P)
16	RMRO905-K	LEVER		A4	RQT3104-B	INSTRUCTION MANUAL	(EB)
17	RMRO910-K	LOCK ARM		A4	RQT3103-E	INSTRUCTION MANUAL	(EG)
18	RMRO911-K	BATTERY COVER		A4	RFKSUC1000EK	INSTRUCTION MANUAL	(E)
19	RWJ1803040KK	FLAT CABLE (3P) (W703)		A4	RQT3105-P	INSTRUCTION MANUAL	(P)
20	RWJ3903170KQ	FLAT CABLE (3P) (W201)		A5	RJA0019-2K	AC POWER SUPPLY CORD	△(SF) (E, EG)
21	RWJ3907170KQ	FLAT CABLE (7P) (W301)		A5	VJA0733	AC POWER SUPPLY CORD	△(SF) <VRD>(EB)
22	RWJ3903170KQ	FLAT CABLE (3P) (W202)		A5	SJA172	AC POWER SUPPLY CORD	△(SF) (P)
23	RWJ1808220KX	FLAT CABLE (8P) (W701)		A6	SJP2276	STEREO CONNECTION CABLE	
24	RWJ1808220KX	FLAT CABLE (8P) (W702)		A7	SJP2257T	REMOTE CONTROL CABLE	(E, EB, EG)
25	RFKGC1000EK	FRONT PANEL ASS' Y	(E, EB, EG)	A8	P-06RM/8A13	RECHARGEABLE BATTERY	(E, EB, EG)
25	RFKGC1000PK	FRONT PANEL ASS' Y	(P)	A8	P-06RM/8A14	RECHARGEABLE BATTERY	(P)
26	RGK0747-S	RING					
27	RGLO296-Q	PANEL LIGHT A					
28	RGLO297-Q	PANEL LIGHT B					
29	RGLO298-Q	PANEL LIGHT C					
30	RGLO299-Q	PANEL LIGHT D					
31	RGLO300-Q	PANEL LIGHT E					
32	RGU0882-K	BUTTON, POWER					
33	XTB3+8JFZ	SCREW					
34	RGU1271-K	BUTTON, MONITOR					
35	RGU1295-K	BUTTON, CHARGE					
36	RGW0205-K	KNOB, BALANCE					
37	RHD26017	SCREW					
38	RHN90001	NUT					
39	RSC0428-1	SHIELD PLATE					
40	XTB3+6JFZ	SCREW					
41	SNE2123	SCREW					
42	XTBS26+8J	SCREW					
43	XTBS3+8JFZ1	SCREW					
44	XTB3+20JFZ	SCREW					
45	XTB3+6G	SCREW					

Notes : \* Capacity values are in microfarads (uF) unless specified otherwise, P=Pico-farads (pF) F=Farads (F)  
 \* Resistance values are in ohms, unless specified otherwise, 1K=1,000 (OHM) , 1M=1,000k(OHM)

Ref. No.	Part No.	Values & Remarks	Ref. No.	Part No.	Values & Remarks	Ref. No.	Part No.	Values & Remarks
		RESISTORS	R620	ERDS2TJ182	1/4W 1.8K	R821	ERDS2TJ123	1/4W 12K
			R621	ERDS2TJ821	1/4W 820			CAPACITORS
R101-104	ERDS2TJ102	1/4W 1K	R622	ERDS2TJ223	1/4W 22K			
R105, 106	ERDS2TJ473	1/4W 47K	R623	ERDS2TJ153	1/4W 15K	C1	ECKWNS102MBM	500V 1000P (P)
R107, 108	ERDS2TJ221	1/4W 220	R624	ERDS2TJ473	1/4W 47K	C101, 102	ECBT1H101KB5	50V 100P
R109, 110	ERDS2TJ220T	1/4W 22	R625	ERDS2TJ104	1/4W 100K	C103, 104	ECBT1H102KB5	50V 1000P
R111-114	ERDAS3G332T	1/4W 3.3K	R626	ERDS2TJ473	1/4W 47K	C105, 106	ECBT1H820KB5	50V 82P
R115, 116	ERDAS3G472T	1/4W 4.7K	R627	ERDS2TKF2213	1/4W 221K	C107, 108	ECA1EPXS470B	25V 47U
R117, 118	ERDS2TJ151	1/4W 150	R628	ERDS2TKF3742	1/4W 37.4K	C109, 110	ECQB1H222JF3	50V 2200P
R119, 120	ERDS2TJ100	1/4W 10	R629	ERDS2TJ102	1/4W 1K	C111, 112	ECQB1H122JF3	50V 1200P
R121, 122	ERDS2TJ101	1/4W 100	R630	ERDS2TKF4022	1/4W 40.2K	C113, 114	ECQB1H103JF3	50V 0.01U
R123, 124	ERDS2TJ151	1/4W 150	R631	ERDS2TKF1802	1/4W 18K	C115, 116	ECQV1H393JM3	50V 0.039U
R125, 126	ERDS2TJ682T	1/4W 6.8K	R633, 634	ERDS2TJ182	1/4W 1.8K	C117, 118	ECA1EPXS100B	25V 10U
R127, 128	ERDS2TJ823T	1/4W 82K	R635 Δ	ERDS1FVJ101T	1/2W 100 (E, EB, EG)	C119, 120	ECQB1H472JF3	50V 4700P
R129, 130	ERDS2TJ334	1/4W 330K	R635 Δ	ERDS1FVJ4R7T	1/2W 4.7 (P)	C121, 122	ECKR1H103ZF5	50V 0.01U
R131, 132	ERDS2TJ561	1/4W 560	R636-639 Δ	ERDS1FVJ101T	1/2W 100 (E, EB, EG)	C123-126	ECBT1H270J5	50V 27P
R133, 134	ERDS2TJ153	1/4W 1.5M	R655	ERDS2TJ103	1/4W 10K	C127, 128	ECBT1H101KB5	50V 100P
R135, 136 Δ	ERDS1FVJ181T	1/2W 180	R656 Δ	ERQ16NKWR15E	1/6W 0.15 (E, EB, EG)	C129, 130	ECA1CPXS221B	16V 220U
R201-214	ERDAS3G102T	1/4W 1K	R701	ERDS2TJ102	1/4W 1K	C131	ECBT1H102KB5	50V 1000P
R215-217	ERDS2TJ103	1/4W 10K	R702, 703	ERDS2TJ103	1/4W 10K	C201, 202	ECBT1H101KB5	50V 100P
R219-221	ERDS2TJ103	1/4W 10K	R704, 705	ERDS2TJ104	1/4W 100K	C203, 204	ECKT1H101KB	50V 100P
R222, 223	ERDS2TJ102	1/4W 1K	R706	ERDS2TJ103	1/4W 10K	C205-208	ECBT1H101KB5	50V 100P
R224	ERDS2TJ472	1/4W 4.7K	R707-712	ERDS2TJ104	1/4W 100K	C209, 210	ECKT1H101KB	50V 100P
R225, 226	ERDAS3G222T	1/4W 2.2K	R713	ERDS2TJ102	1/4W 1K (E, EB, EG)	C211, 212	ECBT1H101KB5	50V 100P
R227, 228	ERDAS3G104	1/4W 100K	R714	ERDS2TJ331	1/4W 330	C213, 214	ECKT1H101KB	50V 100P
R251 Δ	ERDS1FVJ100T	1/2W 10	R715, 716	ERDS2TJ273	1/4W 27K	C215	ECBT1H101KB5	50V 100P
R301, 302	ERDAS3G101T	1/4W 100	R717	ERDS2TJ334	1/4W 330K	C217, 218	ECBTC103NS5	16V 0.01U
R303-306	ERDAS3J224T	1/4W 220K	R724, 725	ERDS2TJ103	1/4W 10K	C219, 220	ECA1HPXS4R7B	50V 4.7U
R307-310	ERDS2TJ152	1/4W 1.5K	R726	ERDS2TJ102	1/4W 1K	C221	ECBT1H101KB5	50V 100P
R311, 312	ERDAS3G222T	1/4W 2.2K	R727	ERDS2TJ103	1/4W 10K (E, EB, EG)	C223, 224	ECBT1C103NS5	16V 0.01U
R313, 314	ERDS2EJ121	1/4W 120	R728	ERDS2TJ104	1/4W 100K	C225, 226	ECA1HPXS4R7B	50V 4.7U
R315, 316	ERDS2TJ224T	1/4W 220K	R730-732	ERDS2TJ103	1/4W 10K	C251, 252	RCEQJKA101BV	6.3V 100P
R317, 318	ERDAS3G223T	1/4W 22K	R801	ERDS2TJ821	1/4W 820	C253, 254	ECQV1H104JM3	50V 0.1U
R319, 320	ERDAS3G392T	1/4W 3.9K	R802	ERDS2TJ102	1/4W 1K	C301, 302	ECA1HPXS010B	50V 1U
R321, 322	ERDS2TJ223	1/4W 22K	R803	ERDS2TJ122	1/4W 1.2K	C303, 304	ECCR1H470JC5	50V 47P
R323, 324	ERDS2TJ392T	1/4W 3.9K	R804	ERDS2TJ152	1/4W 1.5K	C305, 306	ECCR1H101J5	50V 100P
R325, 326	ERDS2TJ183T	1/4W 18K	R805	ERDS2TJ182	1/4W 1.8K	C307, 308	ECQB1H222JF3	50V 2200P
R327, 328	ERDS2TJ392T	1/4W 3.9K	R806	ERDS2TJ222	1/4W 2.2K	C309, 310	ECA1HPXS010B	50V 1U
R329, 330	ERDS2TJ102	1/4W 1K	R807	ERDS2TJ332	1/4W 3.3K	C311, 312	ECCR1H390JC5	50V 39P
R331-334	ERDAS3G101T	1/4W 100	R808	ERDS2TJ472	1/4W 4.7K	C313, 314	ECA1EPX101TB	25V 100U
R335, 336	ERDS2TJ102	1/4W 1K	R809	ERDS2TJ682T	1/4W 6.8K	C315, 316	ECBTDJ153MS5	6.3V 0.015U
R353, 354	ERDS2TJ102	1/4W 1K	R810	ERDS2TJ123	1/4W 12K	C317, 318	ECQV1H823JM3	50V 0.082U
R603, 604	ERDS2TJ101	1/4W 100	R811	ERDS2TJ223	1/4W 22K	C319, 320	ECBT1C222KR5	16V 2200P
R605, 606	ERDS2TJ183T	1/4W 18K	R812	ERDS2TJ221	1/4W 220	C321, 322	ECBTDJ153MS5	6.3V 0.015U
R607	ERDS2TJ102	1/4W 1K	R813, 814	ERDS2TJ181T	1/4W 180	C323, 324	ECBT1H121KB5	50V 120P
R609, 610 Δ	ERDS1FVJ270	1/2W 27 (E, EB, EG)	R815	ERDS2TJ331	1/4W 330	C327, 328	ECKT1H101KB	50V 100P
R618 Δ	ERDS1FVJ8R2T	1/2W 8.2	R817, 818	ERDS2TJ181T	1/4W 180	C341, 342	ECBT1C332KR5	16V 3300P
R619	ERDS2TJ102	1/4W 1K	R819	ERDS2TJ271	1/4W 270	C351	ECA1EPX101TB	25V 100U
			R820	ERDS2TJ223	1/4W 22K			

